



J15-22 Mk. III, J25-32 Mk. III & JA33-43 Series Warm Air Heaters (MODAIRFLOW and Conventional Control)

Installation, Commissioning & Servicing Instructions

(56-53)

UDC 697.3

Publication/ZZ 246/12

1. COMPONENTS CHECK

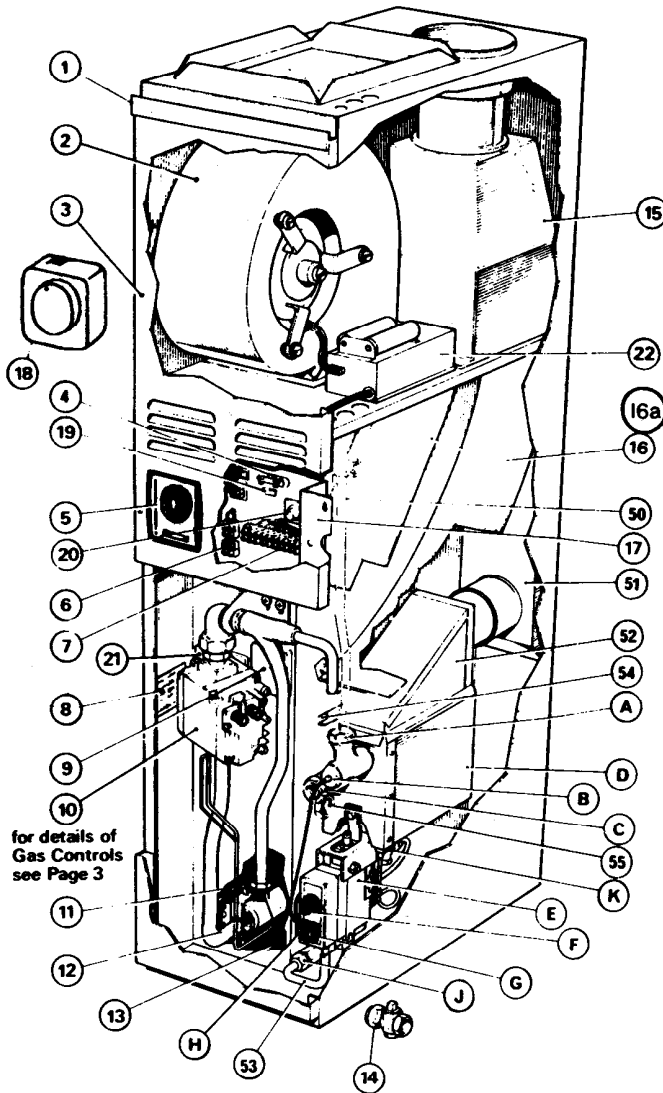


Fig. 1

AIR HEATER

1. Air Filter
2. Air Circulating Fan
3. Fan Chamber Door
4. Fuse
5. Time Control (clock)
6. Connection for Thermostat/Thermista-stat
7. Terminal Block
8. Heater Data Plate
9. Overheat Limit Switch
10. Multifunctional Gas Control
11. Safety Pilot Burner
12. Main Burner Assembly
13. Gas Connection
14. Service Gas Cock 1/2" B.S.P. Female (supplied loose)
15. Draught Diverter
16. Draught Deflector Plate
- 16a. Upper Draught Diverter Plate (JA 33-43 Series only)
17. Electrical/Electronic Panel

MODAIRFLOW Control Heaters only

18. Thermista-stat (supplied loose)
19. Fan Override Switch
20. Balancing Knob
- NOTE: Heaters with conventional control have a five position fan speed selector
21. Air Flow Sensor
- NOTE: Heaters with conventional control have a Fan Switch
22. Fan Speed Regulator

WATER HEATER FITTINGS FIT

50. Water 'flow' Elbow and pipe (not provided)
51. Flue Pipe
52. Flue cap and connection
53. Gas feed pipe to Water Heater
54. Water Heater mounting bracket
55. Water 'return' elbow and pipe (not provided)

JANUS 3 WATER HEATER

- A. 'Flow' connection - 3/4" B.S.P. Female
- B. Thermostat Phial
- C. 'Return' connection - 3/4" B.S.P. Female
- D. Water Heater Body
- E. Burner and Controls
- F. Water Temperature Control Knob
- G. Start Button
- H. Off Button
- J. Gas Connection
- K. Pilot Burner

Installation shall be in accordance with:
Building Regulations
Gas Safety Regulations
Institute of Electrical Engineers Regulations (I.E.E. Regs.)
British Standard Code of Practice CP 331 Pt. 3
BS 5440 Pt. 1 (Flues for Gas Appliances) in course of preparation and will replace CP 337
BS 5440 Pt. 2 (Air supply for Gas Appliances)
BS 5864



2. VENTILATION REQUIREMENTS

Ventilation of Heater Compartment

		J15-22 Mk 111	J25-32 Mk 111	Ja33-43
Ventilation from inside building	Low Level Grille	244cm ² (37in ²)	322cm ² (49in ²)	372cm ² (56in ²)
	High Level Grille	122cm ² (18in ²)	161cm ² (24in ²)	186cm ² (28in ²)
Ventilation from outside building	Low Level Grille	122cm ² (18in ²)	161cm ² (24in ²)	186cm ² (28in ²)
	High Level Grille	61cm ² (9in ²)	81cm ² (12in ²)	93cm ² (14in ²)

Minimum acceptable free areas including area required for water heater.

Sizing of Air Vents

An open flued appliance with an input rating in excess of 7kW (25,000 Btu/h) requires the room or internal space containing it to have an air vent of minimum effective area 4.5cm² for every 1kW in excess of 7kW (1in² for every 5000 Btu/h in excess of 25,000 Btu/h). The air vent should be either direct to outside air, or to an adjacent room or internal space that itself has an air vent direct to the outside

Return Air

Return air grille/s must be connected to the return air opening of the air heater by duct/s. Each heated room, with the exception of kitchens, bathrooms and W.Cs, must have either a return air grille or purpose made relief opening communicating with a collection area served by return air grille/s.

Openings must have minimum areas of 100cm² per MJ/h (1in² per 250 Btu/h) of designed heat input to the rooms. Ventilation requirements may also be brought in through return air plenum.

3. PREPARATION

Flues

A single 100mm (4in) lightweight asbestos or suitable twin wall flue is required.

Electrical Connections

MAINS: The heater is supplied complete with mains cable (PVC sheathed, high temp. resistant, 3 core, 5A, 0.75mm²) connected to the terminal strip and can leave the heater from either side or the top. This cable suitable for 240V, 50Hz, single phase supply, must be protected by a 3A fuse and the earth wire connected. A double pole switch or fused spur box should be used or, a 3 pin plug into an unswitched socket outlet.

THERMOSTAT/THERMISTA-STAT: Should be positioned on an internal wall approximately 1.5m (5ft) from the floor, away from direct sunlight, draughts and local warmth. A two pin plug connection is provided on the heater electrical panel.

IMPORTANT (MODAIRFLOW models only): The plug must be connected to the Thermista-stat and polarity of these wires must be observed i.e. + side on electronic panel to + side on Thermista-stat.

Gas Supply

The gas pipe may enter the heater from either side or through the floor of the cabinet by removal of the appropriate knock-outs.

Heater Installation Clearances

Sides and Back – 3mm (1/8in) minimum.

NOTE: When gas and water connections are made at the side, a clearance of 76mm (3in) is required.

Front – 76mm (3in) minimum

A servicing access is required to the front of the heater:

J15-22 Mk III – 380mm (15in)

J25-32 Mk III – 460mm (18in)

JA33-43 – 500mm (20in)

It is recommended that the access door to the heater cupboard be large enough to permit heater removal.

4. AIR HEATER INSTALLATION

NOTE: If a side Return Air Kit is used, fit before installing heater.

For Side Return Air, Top Closure or Slot Fix installation, refer to fitting instructions in relevant kit.

Electrical Connections

Remove fan chamber door and arrange mains lead to exit from heater through either top of cabinet via the fixed grommet provided or, through twist-out in either side of fan chamber door. Remove twist-out with pliers and push running grommet already present on mains lead into twist-out opening.

Connect mains lead to supply using plug fused 3A.

Thermostat or Thermista-stat wires can enter heater using same route as mains lead. Connect to plug provided on panel.

IMPORTANT: MODAIRFLOW models only: When connecting the Thermista-stat, correct polarity must be observed i.e. + side on electronic panel connection to + side on Thermista-stat.

If a summer switch is required, fit switch in a suitable position external to the heater and connect wires to terminals 4 and 12 as shown on wiring diagram.

★ Installation on Suspended Floors:

Combustible floors must be insulated from the heater.

When a base duct is used, the base duct provides sufficient insulation and no insulation is needed underneath the base duct. When an underfloor warm air plenum is used, insulation can be provided by using a J & S base tray.

For J15-22MK3 and J25-32MK3 use base tray BT32.

For JA33-43 use base tray BT43.

5. COMMISSIONING

a) Conventional Control Models only

Check that warm air delivery outlets are open, set room thermostat anticipator to 0.5 and set thermostat pointer to OFF or lowest setting.

Check settings of FAN and LIMIT controls:

J15-22 Mk III and J25-32 Mk III

FAN 100°F OFF (40°DIFF) – Honeywell

FAN 100°F OFF (FIXED DIFF) – Thermodisc

LIMIT 200°F and must not be adjusted.

JA33-43

FAN 100°F OFF (30°DIFF) – Honeywell

FAN 100°F OFF (FIXED DIFF) – Thermodisc

LIMIT 200°F and must not be adjusted.

Fit gas pressure gauge to test point.

Turn on gas supply and bleed off air.

Light Pilot Burner – see instructions on appliance.

Adjust pilot flame if necessary so that it just surrounds thermocouple probe (approximately 15mm in length). To adjust flame, remove cover from adjustment point (see Fig. S2) and turn screw clockwise to decrease, anti-clockwise to increase flame.

Switch on electricity.

Turn thermostat to MAXIMUM setting and ensure that Time Control is at an ON period.

Check that main burner lights.

Check for gas soundness.

Balance Warm Air System

Remove Fan Chamber Door and fit fan speed selector plug to a number corresponding with the fan curve selected from Fig. 4.

Adjust burner bar pressure to output required (see appropriate table Fig. 3) NOTE: Heaters are factory set to a pressure giving maximum output. To adjust pressure, remove cover from adjustment point (see Fig. S2) and turn screw **clockwise to increase, anti-clockwise to decrease** pressure.

Enter pressure in space provided on Data Plate – see Fig. 1.

With fan chamber door in place, check velocities to design figures. Adjust fan speed if necessary by fan speed selector plug.

NOTE: If the system includes ceiling diffusers it is important that the velocity of air through these is at least 1.5m/sec (300ft/min). Special low volume diffusers with a free area of 50cm² are available from Johnson & Starley Ltd. For details see Johnson & Starley publication ZZ312.

Check temperature rise across heater (85°-100° F) and adjust fan speed if necessary.

Check 'fail-safe' operation of Multifunctional Control.

With main burner off, reduce pilot burner flame by turning screw at pilot flame adjustment point clockwise until it extinguishes. After 50-90 seconds, a loud click should be heard i.e. control has failed safe.

Reset pilot burner flame so that it just surrounds thermocouple probe (approximately 15mm in length).

Check Overheat Limit Control by operating heater with main burner alight and fan disconnected – main burner must extinguish within 3-5 minutes.

Automatic Controls Check – Lighting the heater and allowing to run for a short time checks these controls.

Check for gas soundness.

Check that flue operates effectively with heating system on, all doors closed and extractor fan/s if fitted, running.

b) MODAIRFLOW Models only

Check that warm air delivery outlets are open.

Check LIMIT control is correctly set:

J15-22 Mk III and J25-32 Mk III

LIMIT 200° F and **must not** be adjusted.

JA33-43

LIMIT 200° F and **must not** be adjusted.

Fit gas pressure gauge to test point.

Turn on gas supply and bleed off air.

Light Pilot Burner – see instructions on appliance.

S.I.T. MULTIFUNCTIONAL GAS CONTROL

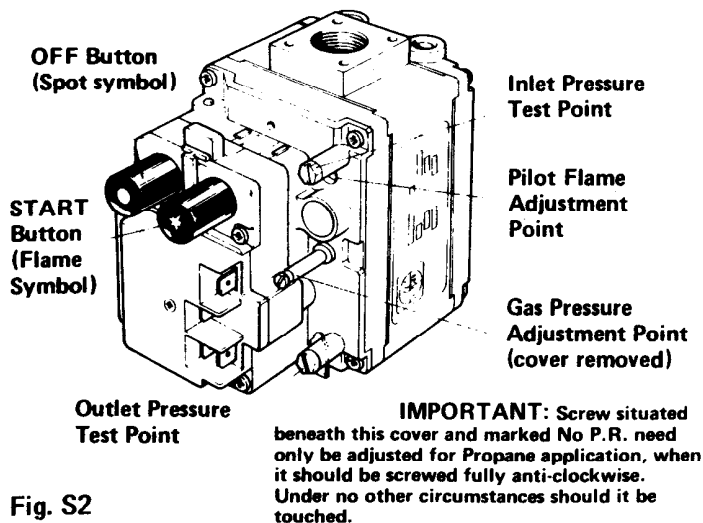


Fig. S2

Adjust pilot flame if necessary so that it just surrounds thermocouple probe (approximately 15mm in length). To adjust flame, identify adjustment point (see Fig. H2) and turn screw **clockwise to decrease, anti-clockwise to increase** flame.

Switch on electricity.

Turn Thermosta-stat to **MAXIMUM** setting and ensure that Time Control is at an **ON** period.

Check that main burner lights.

Check for gas soundness.

Balance Warm Air System:

Remove fan chamber door or access to Electronic Panel.

Set Fan Override Switch to **CONTINUOUS**.

Turn Balancing Knob to a number corresponding with the fan curve selected from Fig. 4 – fan should run at selected speed.

Adjust burner bar pressure to output required (see appropriate table Fig. 3) NOTE: Heaters are factory set to a pressure giving maximum output. To adjust pressure, remove cover from adjustment point (see Fig. H2) and turn screw **clockwise to increase, anti-clockwise to decrease** pressure.

Enter pressure in space provided on Data Plate – see Fig. 1.

With fan chamber door in place, check velocities to design figures. Adjust fan speed if necessary by using the **BALANCING KNOB**.

NOTE: If the system includes ceiling diffusers, it is important that the velocities of air through these (except in very small rooms like bathrooms etc.) is at least 1.5 m/s (300 ft/m). To achieve this, it may be necessary to blank-off part of the outlet face.

Check 'fail-safe' operation of Multifunctional Control. With main burner off, reduce pilot burner flame by turning screw at pilot flame adjustment point clockwise until it extinguishes. After 50-90 seconds, a loud click should be heard i.e. control has failed safe.

Reset pilot burner flame so that it just surrounds thermocouple probe (approximately 15mm in length).

Check Overheat Limit Control, by operating heater with main burner alight and fan disconnected – main burner must extinguish within 3-5 minutes.

Automatic Controls Check – Lighting the heater and allowing to run for a short time checks these controls.

Check for gas soundness.

Check that flue operates effectively with heating system on, all doors closed and extractor fan/s if fitted, running.

HONEYWELL MULTIFUNCTIONAL GAS CONTROL

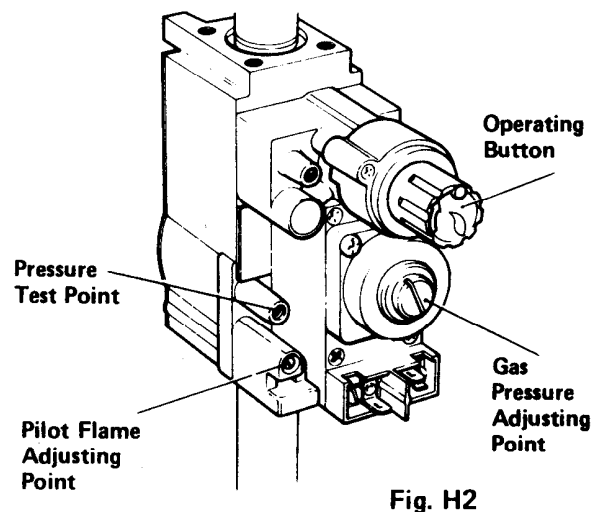


Fig. H2

J15-22 Series		kW	MJ/h	Btu/h	kW	MJ/h	Btu/h	kW	MJ/h	Btu/h	
INPUT		5.9	21.1	20,000	7.3	26.0	24,600	8.3	29.8	28,200	
OUTPUT		4.4	15.8	15,000	5.6	20.0	19,000	6.5	23.2	22,000	
GAS RATE (1000 cv)		0.55 m ³ /h (19.57 ft ³ /h)			0.69 m ³ /h (24.3 ft ³ /h)			0.78 m ³ /h (27.7 ft ³ /h)			
GAS	INJECTOR dia. mm.	BURNER BAR GAS PRESSURES (measured hot)									
NATURAL	2.46	5.3mbar 2.1 in. wg		8.4mbar 3.4 in. wg		10.8mbar 4.3 in. wg					
PROPANE	1.50	Lower rates not available					37.0	14.8			

Fig. 3a

J25-32 Series		kW	MJ/h	Btu/h	kW	MJ/h	Btu/h	kW	MJ/h	Btu/h	
INPUT		10.15	36.4	34,500	11.6	41.7	39,500	12.7	45.6	43,200	
OUTPUT		7.3	26.4	25,000	8.5	30.6	29,000	9.4	33.8	32,000	
GAS RATE (1000 cv)		0.98 m ³ /h (34.5 ft ³ /h)			1.12 m ³ /h (39.5 ft ³ /h)			1.22 m ³ /h (43 ft ³ /h)			
GAS	INJECTOR dia. mm.	BURNER BAR GAS PRESSURES (measured hot)									
NATURAL	2.89	8.3mbar 3.3 in. wg		11.0mbar 4.4 in. wg		13.5mbar 5.4 in. wg					
PROPANE	1.75	Lower rates not available					37.0	14.8			

Fig. 3b

JA33-43 Series		kW	MJ/h	Btu/h	kW	MJ/h	Btu/h	kW	MJ/h	Btu/h	
INPUT		12.83	46.2	43,780	14.57	52.45	49,715	16.31	58.71	55,650	
OUTPUT		9.68	34.82	33,000	11.14	40.1	38,000	12.60	45.37	43,000	
GAS RATE (1000 cv)		1.18 m ³ /h (42.3 ft ³ /h)			1.34 m ³ /h (48 ft ³ /h)			1.5 m ³ /h (53.6 ft ³ /h)			
GAS	INJECTOR dia. mm.	BURNER BAR GAS PRESSURES (measured hot)									
NATURAL	3.21	7.8mbar 3.1 in. wg		10.1mbar 4.0 in. wg		12.8mbar 5.1 in. wg					
PROPANE	2.25	Lower rates not available					37.0	14.8			

Fig. 3c

Fan Performance Curves

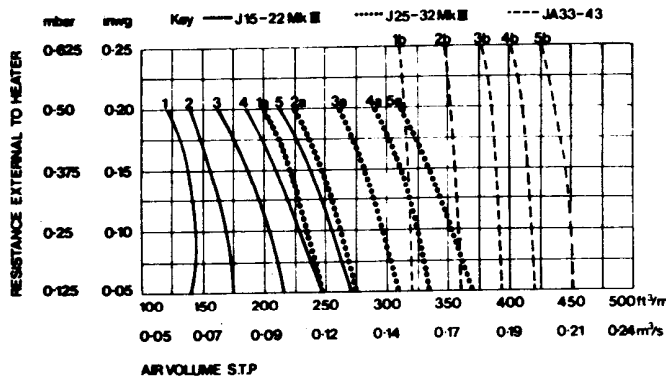


Fig. 4

6. SERVICING

Switch off electricity, remove mains plug and turn off service gas cock.

NOTE:

a) Removal of Burner Assembly

Remove electrical connections from multifunctional control. Disconnect union at input side of control and remove single burner assembly fixing screw from left hand side.

b) For access to Electrical/Electronic Panel, Fuse, Time Control, Air Circulating Fan and Fan Speed Regulator (MODAIRFLOW Models only), remove Air Filter and Fan Chamber Door. NB Air Filter must be removed before Fan Chamber Door.

Main Burner Cleaning – with burner assembly removed.

Release split pins at rear of burner bar and remove end cap. Brush lightly both inside and out. Under no circumstances should burner holes be enlarged, distorted or brushed strongly.

Injector Cleaning – (Main Burner and Pilot Burner).

Unscrew to remove and clean carefully to avoid damage in each case. When injector replacement is a preferred alternative to cleaning, ensure that replacement injectors are of the correct orifice size.

Thermocouple

Ensure that thermocouple connection to multifunctional control is tight (finger tight + quarter turn).

Gas Pressure Check

Attach a gas pressure gauge to outlet pressure test point on multifunctional control. Light heater, check pressure and confirm by gas rate check at meter.

Air Circulating Fan Removal and Cleaning

Disconnect fan fly-lead and remove fan retaining plate. Handling with care, lift and withdraw fan assembly. Remove all dust from both impeller and motor, taking care not to disturb the balance of the fan.

Time Control Removal and Replacement

Loosen fixing screw in bottom of Time Control casing, withdraw casing and disconnect electrical leads. Release mounting screw (situated centrally on the rear top face of the mechanism), lift slightly and withdraw mechanism.

Position replacement mechanism onto the lugs of the mounting plate and lock by a downward movement. Tighten mounting screw, remake electrical connections and replace casing.

Electrical Panel Removal – Conventional Models only

Disconnect fan and withdraw panel fly-lead through fan chamber door – RETAIN SPLIT GROMMET.

Disconnect at thermostat plug.

Disconnect all leads from terminal block.

Remove Time Control.

Loosen four retaining screws and lift off panel.

Electronic Panel Removal – MODAIRFLOW Models only

Disconnect 3-way, 6-way and Thermista-stat plugs.

Disconnect all leads from terminal block.

Remove Time Control.

Loosen four retaining screws and lift off panel.

Fan Speed Regulator Removal – MODAIRFLOW Models only

Disconnect 3-way and 6-way plugs at Electronic Panel.

Withdraw Fan Speed Regulator fly-lead through fan chamber floor – RETAIN SPLIT GROMMET.

Remove single fixing bolt situated between large green resistors.

Heat Exchanger Access – All Models

Remove burner bar assembly.

Remove Air Filter and Fan Chamber Door.

Remove access panel from top front face of bulkhead.

Remove cover plate from front of heat exchanger together with gasket.

Heat exchanger can now be inspected and brushed through.

NOTE: It will be necessary on J15-22 series heaters to displace internal baffle for this purpose.

IMPORTANT: Ensure baffle (J15-22 series heaters only) is pushed fully home.

Refit cover plate complete with gasket.

Recommission heater, carrying out checks as detailed in Section 5.

In the event of Heat Exchanger or Burner(s) replacement being necessary contact Johnson & Starley Service Department.

7. FAULT FINDING

NOTE: When purging or checking gas supplies, ensure there is adequate ventilation to the room or cupboard and all naked lights are extinguished.

MODAIRFLOW Models only:

Before commencing fault finding, turn Thermista-stat to maximum setting, turn mains supply on and check that Time Control is at an ON position.

Care must be taken during replacement and handling of electronic assemblies, viz Electronic Panel, Fan Speed Regulator, Air Flow Sensor, Thermista-stat. It is not practical to rectify any faults in these assemblies except in the factory and any attempt to do so may render any guarantee void.

Symptom

(a) Pilot will not light.

Possible Cause

- (i) No gas supply to heater.
- (ii) Gas supply pipe not purged.
- (iii) Pilot orifice restricted.

Remedy

Break service tap union and listen for escape. Break service tap union until gas is detected. Clear pilot orifice carefully or replace injector.

(b) Pilot lights but goes out on releasing 'START' button during initial light-up or after normal operation.

- (i) Connection between thermocouple and gas control not secure.
- (ii) Faulty power unit on gas control
- (iii) Faulty thermocouple.
- (iv) Pilot flame of insufficient length.

Check connection is secure.

Replace power unit.
Replace thermocouple.
Adjust.

Conventional Control Heaters only:

(c) Pilot alight but main burner not igniting

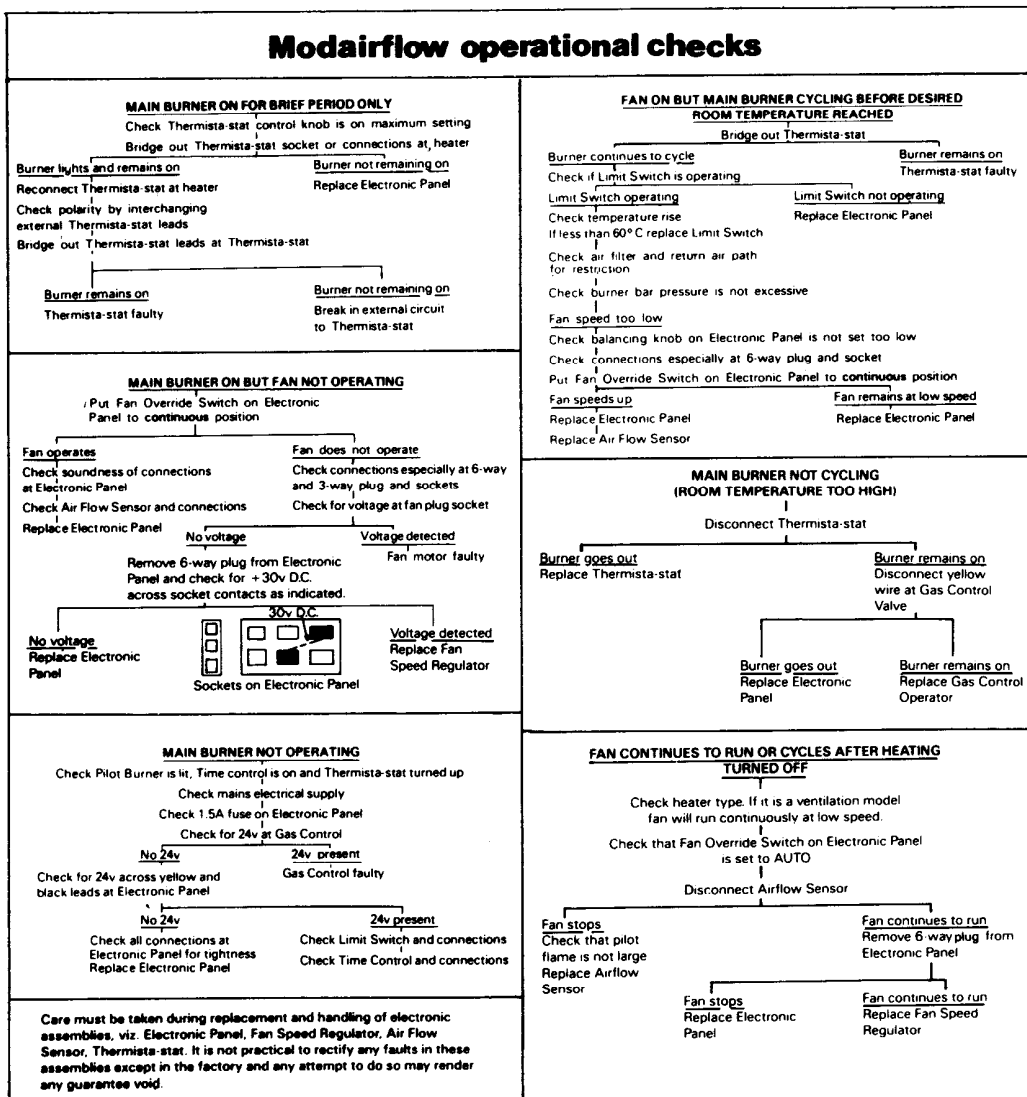
- (i) Mains electrical supply not connected to heater.
- (ii) Controls not calling for heat.
- (iii) 3A fuse failed.
- (iv) Loose connection on room thermostat, Limit control, gas control head, Time control or transformer.
- (v) Transformer open circuited.
- (vi) Gas control operator faulty.
- (vii) Gas control governor faulty.

Check mains supply.

Check that time control (if fitted) and room thermostat are calling for heat. Replace. If failure occurs again, check external room thermostat leads for short to earth. Check connections for soundness.

Check with test meter and replace electrical panel if necessary. Replace operator. Replace governor.

- (viii) Faulty Limit control. Short across control and replace if necessary.
- (ix) Faulty room thermostat or external wiring. Fit temporary loop in heater room thermostat socket. If heater fires, external circuit or room thermostat is faulty.
- (d) Main burner lights but fan fails to run.
 - (i) Loose electrical connection on fan control or fan plug and socket. Check connections for soundness.
 - (ii) Fan control settings incorrect. Check settings.
 - (iii) Faulty fan assembly. Replace, taking care not to damage impeller.
 - (iv) Faulty Fan control. Replace.
 - (v) Burner bar pressure not correct. Adjust pressure if necessary.
- (e) Main burner operating intermittently with fan running.
 - (i) Gas rate or burner pressure high. Check gas rate and burner bar pressure.
 - (ii) Temperature rise excessive. Adjust fan speed or gas rate accordingly.
 - (iii) Air filter or return air path restricted. Check filter is clean and return air path is clear
 - (iv) Excessive number of outlets closed. Open additional outlets.
- (f) Main burner operating with intermittent fan operation.
 - (i) Gas rate or burner pressure low. Check gas rate and burner bar pressure.
 - (ii) Fan control settings incorrect. Check settings.
- (g) Fan runs for excessive period or operates intermittently after main burner shuts down.
 - (i) Gas rate or burner pressure low. Check gas rate and burner bar pressure.
 - (ii) Fan control settings incorrect. Check settings.
- (h) Noisy operation.
 - (i) Gas pressure high. Check burner bar pressure.
 - (ii) Noisy fan motor. Replace fan motor.
 - (iii) Fan speed setting too high. Adjust fan speed.



- (i) Main burner remains ON with controls set to OFF
- (iv) Multifunctional control fails to close down. Disconnect wire from control. If burner does not extinguish, replace control.

(j) Insufficient heating.

- (i) Heater gas rate low.
- (ii) Limit control operation due to
 - (a) Temperature rise set too high.
 - (b) Air filter or return air path restricted.
 - (c) Excessive number of outlets closed.
 - (d) Limit control out of calibration.
- (iii) Incorrect siting of Thermista-stat.
- (iv) Thermista-stat out of calibration.
- (v) Insufficient return air relief.

Check and adjust gas rate accordingly.

Adjust fan speed and/or gas rate accordingly.
Check filter is clean and return air path is clear.
Open additional outlets.

Replace Limit control

Reposition.

Replace Thermista-stat.

Check for relief and where no provision has been made, fit grilles to area/s where no positive return air collection is made.
Check velocities and underfloor heat losses.

Replace Time Control.

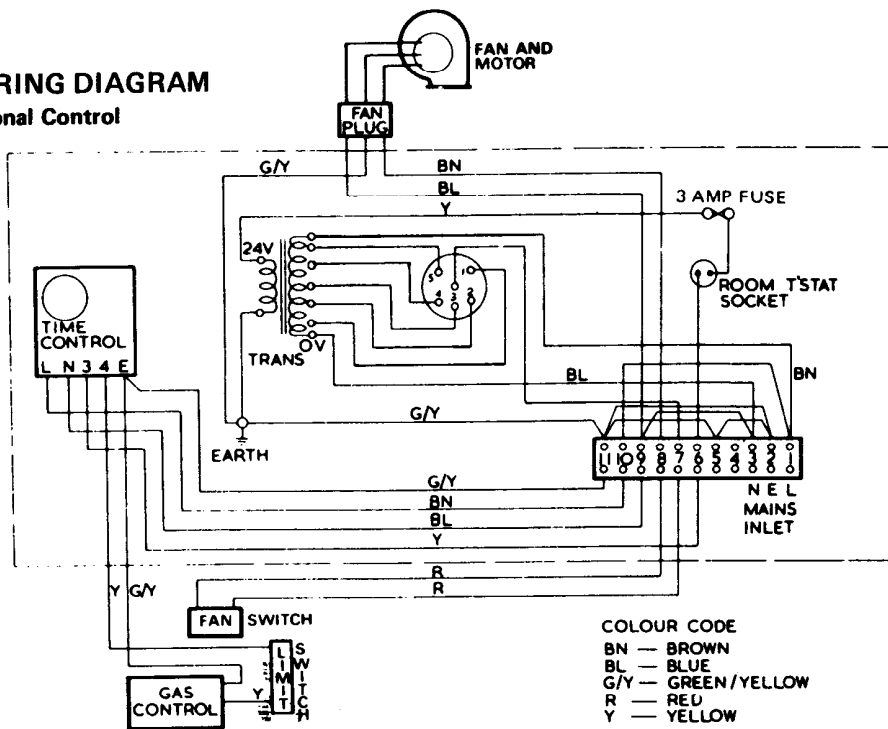
Replace Time Control.

Refer to Time Control section in User's Instructions and set tappets accordingly.

- (vi) Substandard installation e.g. poor insulation, faulty duct connections or damaged ductwork.
- (i) Time Control motor running slowly.
- (ii) Time Control tappets slipping.
- (iii) Time Control tappets not set in correct sequence.

8. WIRING DIAGRAM

Conventional Control Models



Voltages of Standard Fan Speed Tappings (No load condition)
J15-22 and J25-32 Heaters

1	112V
2	120V
3	130V
4	145V
5	170V

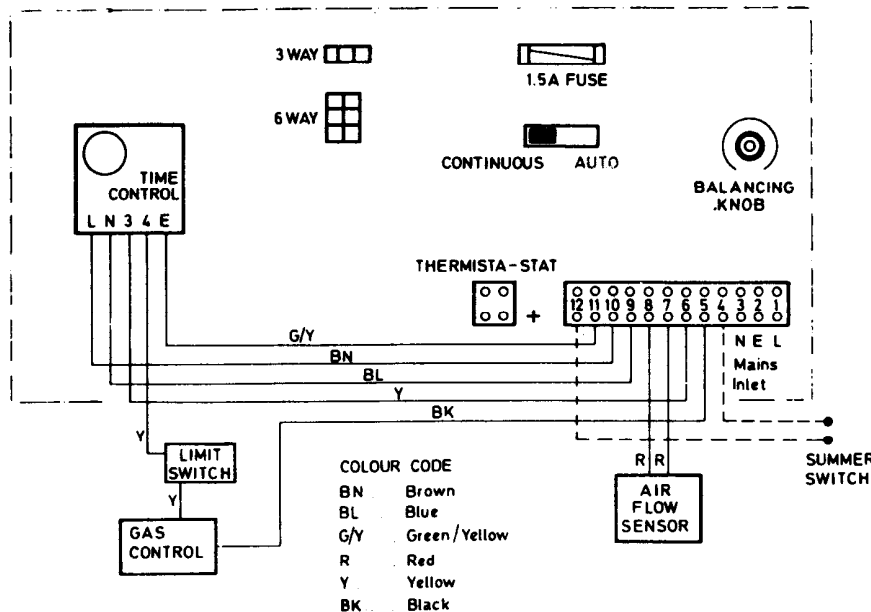
JA33-43 Heaters

1	145V
2	155V
3	165V
4	172V
5	180V

COLOUR CODE
BN — BROWN
BL — BLUE
G/Y — GREEN/YELLOW
R — RED
Y — YELLOW

Fig. 5

MODAIRFLOW Control Models



COLOUR CODE
BN Brown
BL Blue
G/Y Green/Yellow
R Red
Y Yellow
BK Black

Fig. 6

9. SHORT LIST OF SPARE PARTS

G.C. Number	Makers Number	Description	Quantity	J15-22	J25-32	JA33-43	J15-22/MAF	J25-32/MAF	JA33-43/MAF
389 272	BOS 1607	Air Circulating Fan with integral motor.	1	X			X		
244 830	S.0115	Replacement Motor Kit with mounting brackets. Smiths Inc.	1	X			X		
388 853	BOS 528	Air Circulating Fan with integral motor.	1		X			X	
244 919	S.1042	Replacement Motor Kit with mounting brackets.	1		X			X	
389 291	BOS 1490	Air Circulating Fan with integral motor.	1			X			X
231 106	J25-32 Mk III/182Y	Filter Tray Assembly	1	X	X		X	X	
232 986	JA33-43/182Y	Filter Tray Assembly.	1			X			X
232 962	CL2S	Time Control.	1	X	X	X	X	X	X
232 769	BOS 2041	Time Control Cover (clear plastic)	1	X	X	X	X	X	X
230 317	S.0106	Electrical Panel less Time Control	1	X	X				
232 737	S. 0109	Electrical Panel less Time Control	1			X			
393 123	S.0074	Electronic Panel less Time Control	1				X	X	
232 799	S.0105	Electronic Panel less Time Control	1						X
385 102	BOS 105	Limit Control. Honeywell L4069C	1	X	X	X			
385 103	BOS 104	Fan Control. Honeywell L4068C	1	X	X	X			
230 496	S.0076	Air Flow Sensor	1				X	X	X
392 676	BOS 1282	Multifunctional Control. S.I.T. 0810028 ½ B.S.P.	1	X	X	X			
393 412	BOS 1301	Multifunctional Control. Honeywell V8600C	1				X	X	X
391 522	BOSD 1281/1	Pilot Burner Assy. S.I.T. 0158011	1	X	X	X			
390 420	BOS 311	Pilot Burner Assy. Honeywell Q314A	1				X	X	X
390 210	BOS 36	Thermocouple. Honeywell Q309A	1				X	X	X
230 146	BOS 384	Fuse 3A 1in. long ceramic	1	X	X	X			
230 494	BOS 1237	Fuse 1.5A 1¼ in. long ceramic	1				X	X	X
	BOS 1235/2	Thermostat/Thermista-stat Plug	1	X	X	X	X	X	X
232 803	J25-32/760	Burner Assembly C/W Gas Control	1	X	X		X	X	
398 360	BOS 1204/4	Main Injector — 2.46mm	1	X			X		
398 280	BOS 1204/1	Main Injector — 2.89mm	1		X			X	
232 738	JA33-34/760	Burner Assembly C/W Gas Control	1			X			X
	BOS 1204/5	Main Injector — 3.21mm	1			X			X
230 153	BOS 533	Wiring Harness	1	X	X				
232 740	BOS 1465	Wiring Harness	1			X			
230 497	BOS 1246	Wiring Harness	1				X	X	
232 794	BOS 1467	Wiring Harness	1						X
230 157	BOS 566	Fan Speed Selector Plug	1	X	X	X			
230 495	S.0075	Fan Speed Regulator	1					X	X
386 475	BOS 1242	Thermista-stat	1				X	X	X
232 845	S.0134	Fan Speed Regulator	1				X		
232 830	J15-22/760	Burner Assembly C/W Gas Control		X			X		
ADDITIONAL SPARES FOR PROPANE GAS HEATERS									
	BOS 02237	Multifunctional Control — Honeywell V8600D	1	X	X	X	X	X	X
	1000-0703620	Burner Arm — Robinson ref. 15-22P	1	X			X		
	1000-0703600	Main Injector	1	X			X		
	1000-0701530	Burner Arm — Robinson	1		X			X	
	1000-0703640	Main Injector	1		X			X	
	1000-0703630	Burner Arm — Robinson ref. JA33-43P	1			X			X
	1000-0703610	Main Injector	1			X			X
	BOS 00371/3	Pilot Burner Injector	1	X	X	X	X	X	X



Rhosili Road Brackmills Northampton NN4 7LZ

Telephone: (0604) 762881

Fax: 767408